

LAMPIRAN



Gambar Saluran Eksisting Jl Nusa Indah I Kiri



Gambar Saluran Eksisting Nusa Indah I Kiri

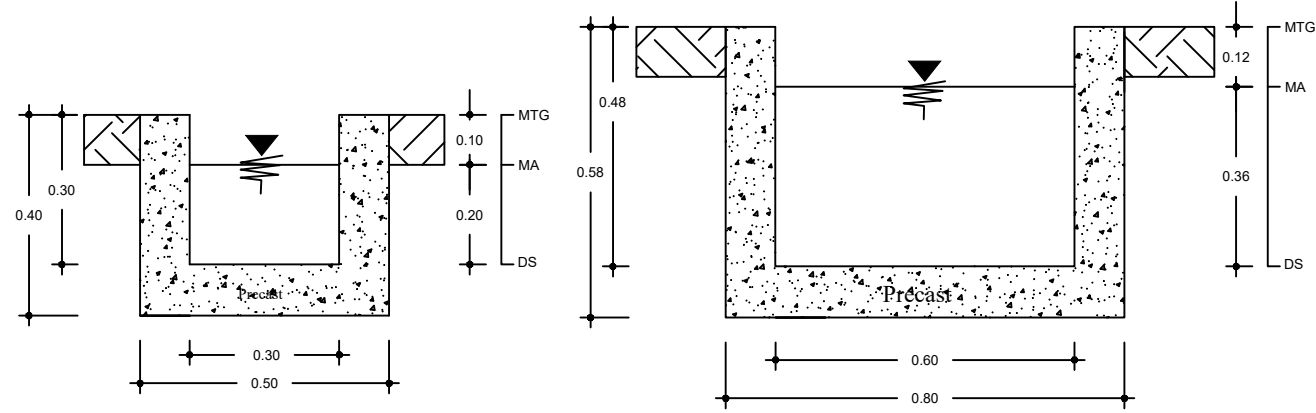


Gambar Pengukuran Dimensi saluran eksisting Jl. Cempaka Kanan



Gambar Saluran Eksisting Jl. Nusa Indah V Kiri

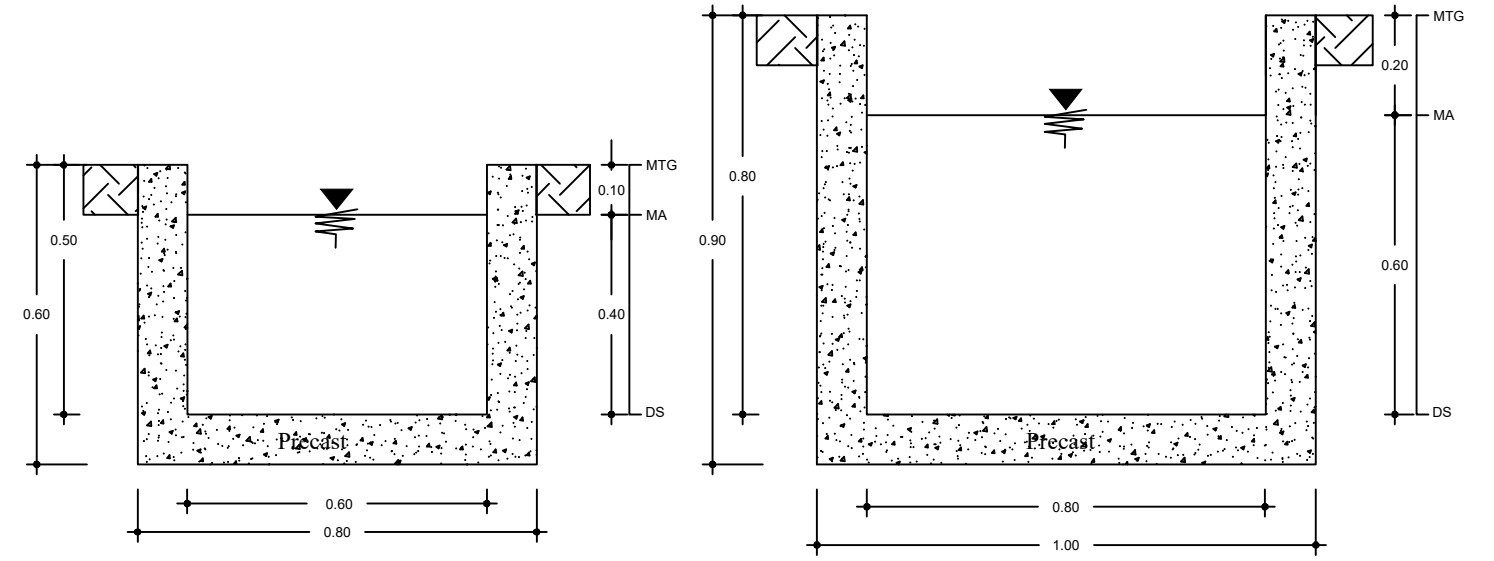
Jl. Nusa Indah Kiri



Kondisi Existing
 $Q_s = 0,0160 \text{ m}^3/\text{dt} < Q = 0,0188 \text{ m}^3/\text{dt}$

Kondisi Setelah Direncanakan Ulang
 $Q_s = 0,0773 \text{ m}^3/\text{dt} > Q = 0,0188 \text{ m}^3/\text{dt}$

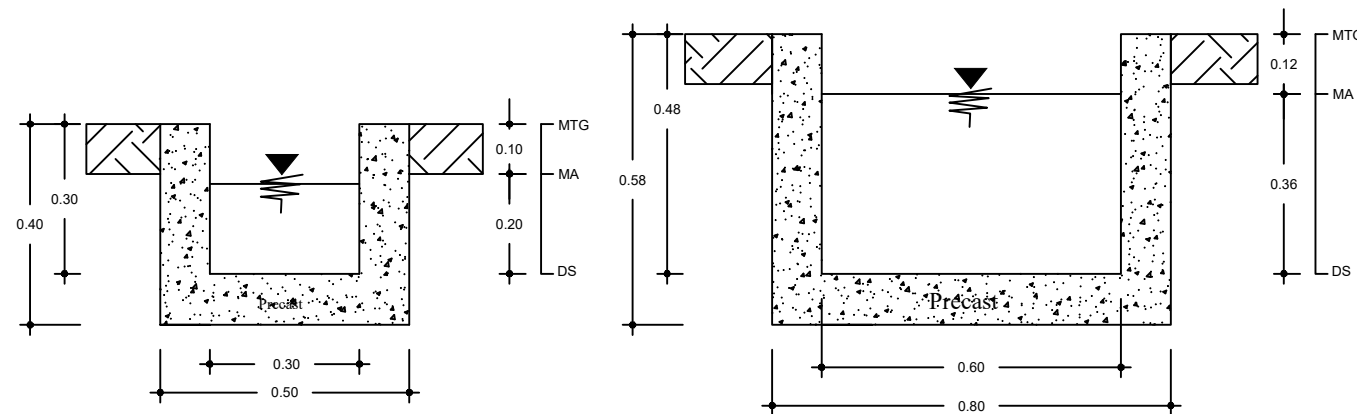
Jl. Seruni Kanan



Kondisi Existing
 $Q_s = 0,0813 \text{ m}^3/\text{dt} < Q = 0,1282 \text{ m}^3/\text{dt}$

Kondisi Setelah Direncanakan Ulang
 $Q_s = 0,2194 \text{ m}^3/\text{dt} > Q = 0,1282 \text{ m}^3/\text{dt}$

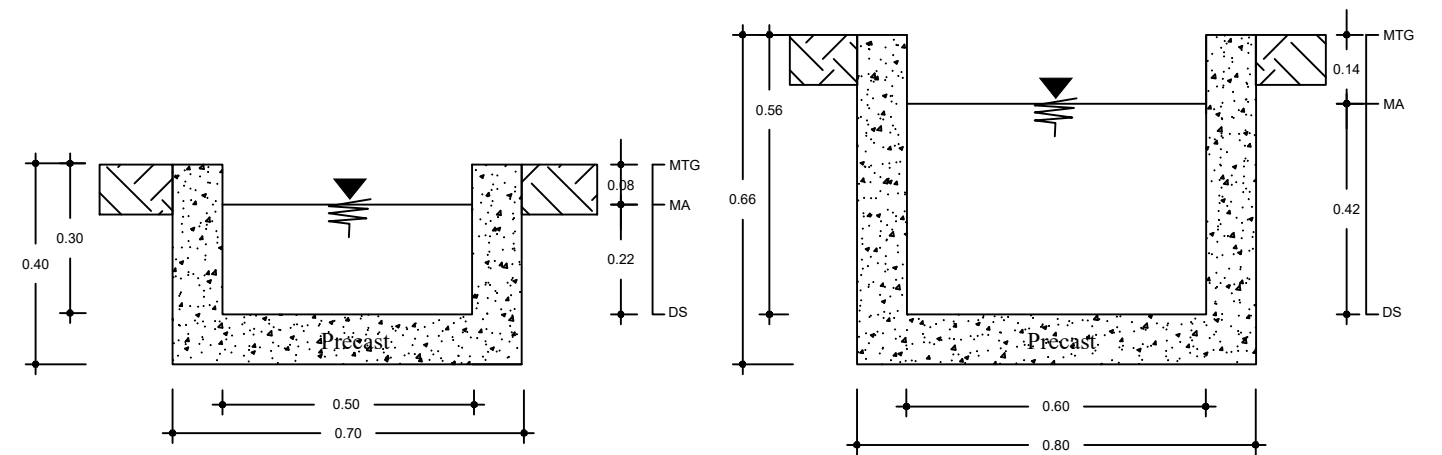
Jl. Tanjung Baru Kiri



Kondisi Existing
 $Q_s = 0,0160 \text{ m}^3/\text{dt} < Q = 0,0302 \text{ m}^3/\text{dt}$

Kondisi Setelah Direncanakan Ulang
 $Q_s = 0,0773 \text{ m}^3/\text{dt} > Q = 0,0302 \text{ m}^3/\text{dt}$

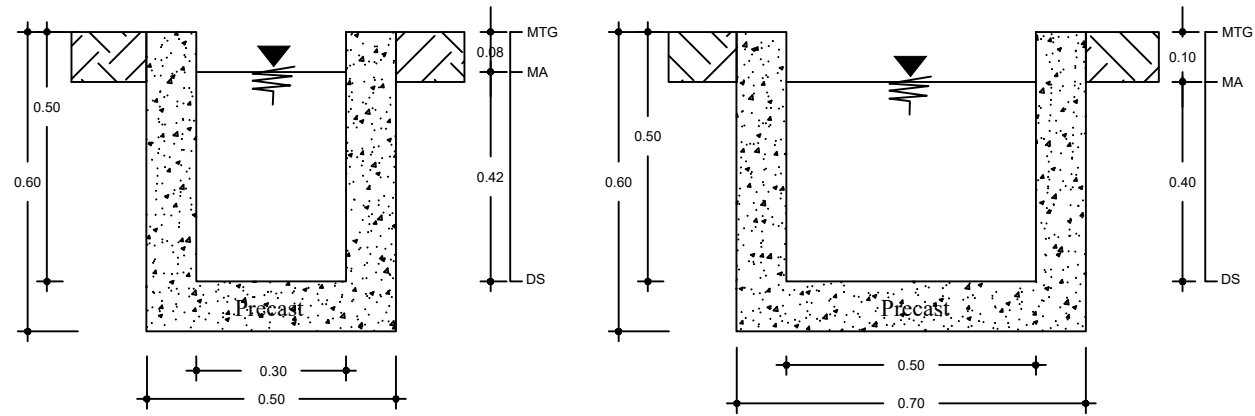
Jl. Cempaka Kanan



Kondisi Existing
 $Q_s = 0,0329 \text{ m}^3/\text{dt} < Q = 0,0712 \text{ m}^3/\text{dt}$

Kondisi Setelah Direncanakan Ulang
 $Q_s = 0,0936 \text{ m}^3/\text{dt} > Q = 0,0712 \text{ m}^3/\text{dt}$

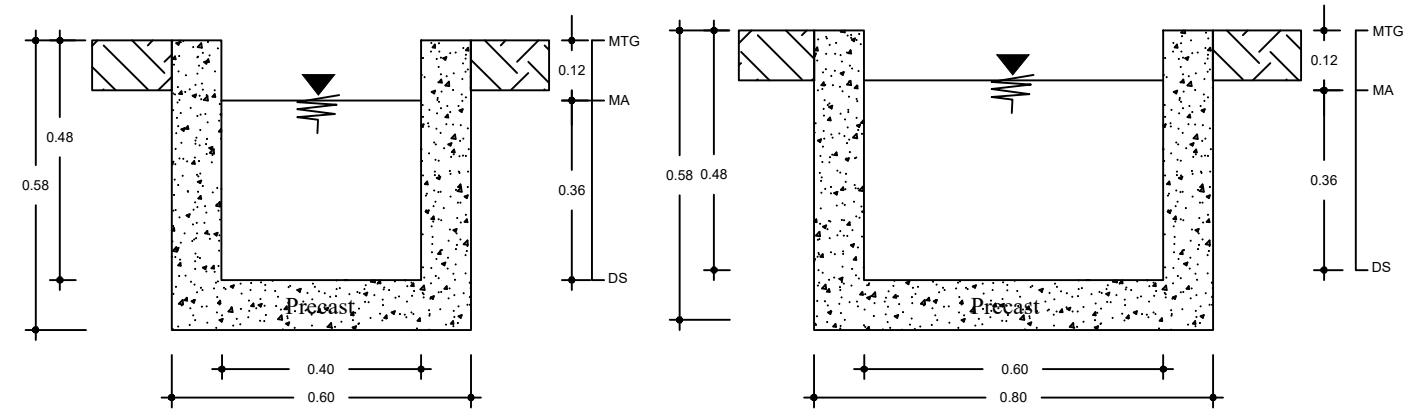
Gg. flamboyan I kiri



Kondisi Existing
 $Q_s = 0,0294 \text{ m}^3/\text{dt} < Q = 0,02485 \text{ m}^3/\text{dt}$

Kondisi Setelah Direncanakan Ulang
 $Q_s = 0,3892 \text{ m}^3/\text{dt} > Q = 0,2485 \text{ m}^3/\text{dt}$

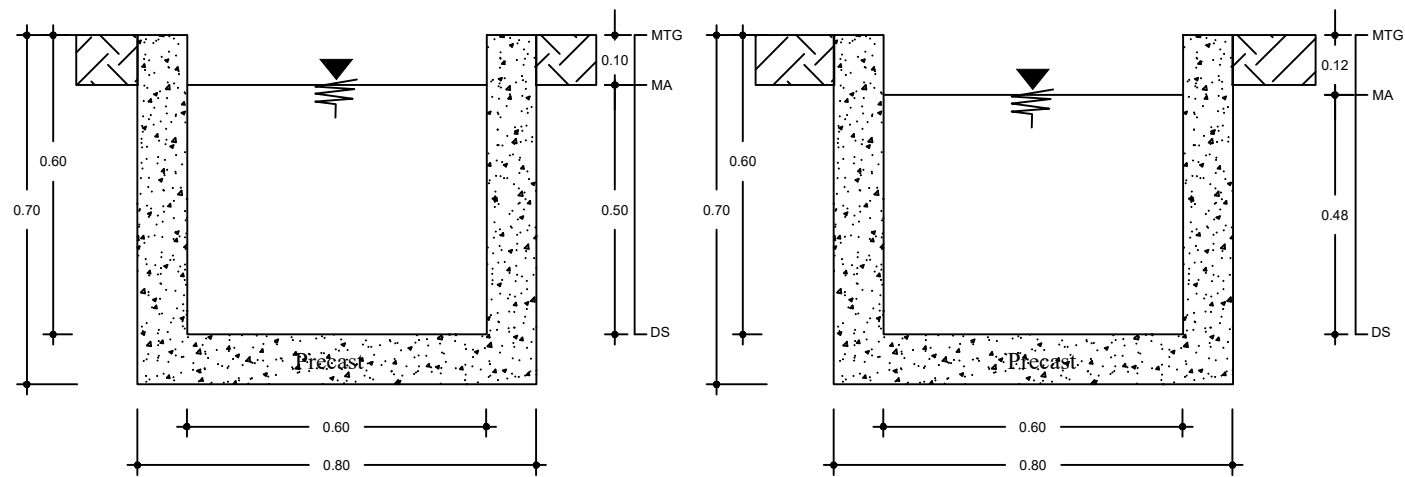
Jl. Angrek kiri



Kondisi Existing
 $Q_s = 0,0431 \text{ m}^3/\text{dt} < Q = 0,02770 \text{ m}^3/\text{dt}$

Kondisi Setelah Direncanakan Ulang
 $Q_s = 0,4396 \text{ m}^3/\text{dt} > Q = 0,2770 \text{ m}^3/\text{dt}$

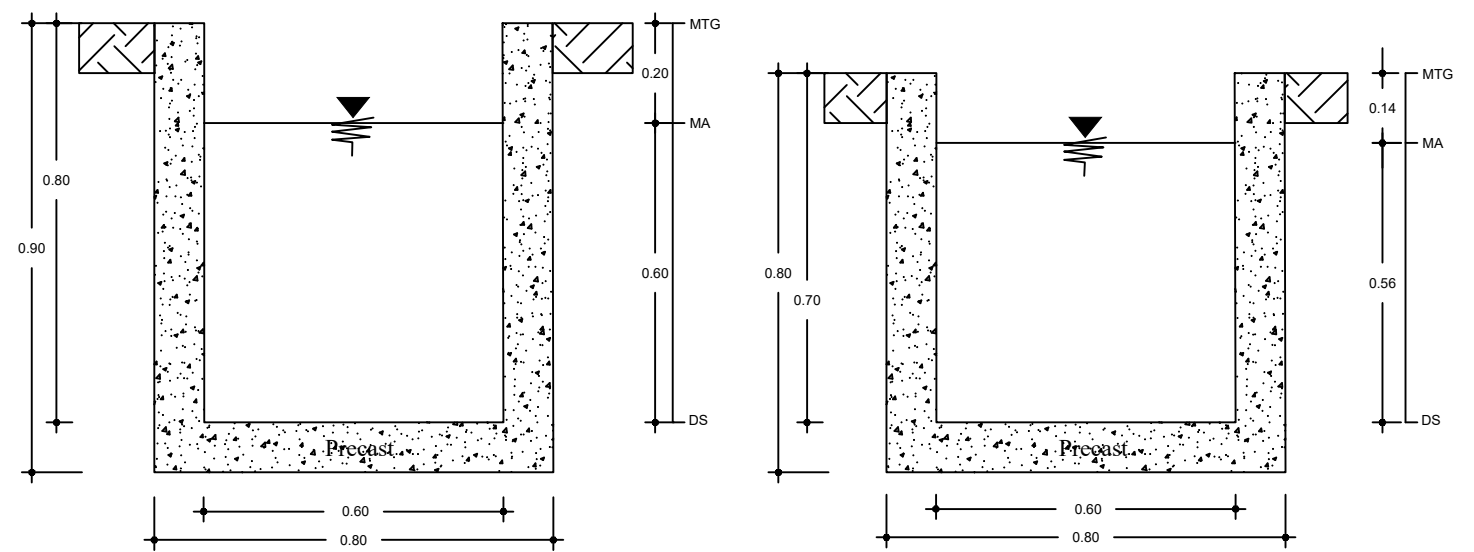
Gg. flamboyan II kiri



Kondisi Existing
 $Q_s = 0,0813 \text{ m}^3/\text{dt} < Q = 0,02635 \text{ m}^3/\text{dt}$

Kondisi Setelah Direncanakan Ulang
 $Q_s = 0,4396 \text{ m}^3/\text{dt} > Q = 0,2635 \text{ m}^3/\text{dt}$

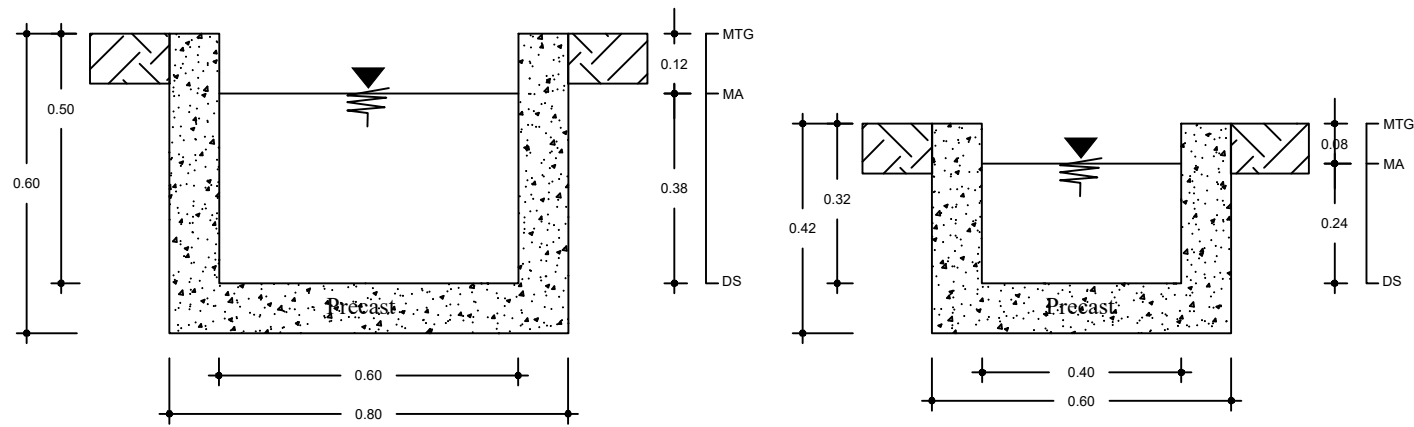
Jl. Angrek I kanan



Kondisi Existing
 $Q_s = 0,1440 \text{ m}^3/\text{dt} < Q = 0,03863 \text{ m}^3/\text{dt}$

Kondisi Setelah Direncanakan Ulang
 $Q_s = 0,6087 \text{ m}^3/\text{dt} > Q = 0,3863 \text{ m}^3/\text{dt}$

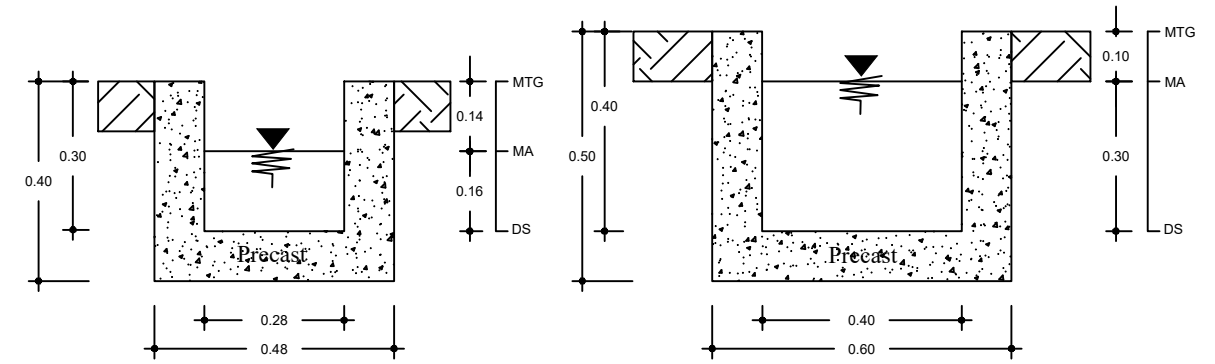
Jl. Angrek II kiri



Kondisi Existing
 $Q_s = 0,0813 \text{ m}^3/\text{dt} < Q = 0,4404 \text{ m}^3/\text{dt}$

Kondisi Setelah Direncanakan Ulang
 $Q_s = 0,6695 \text{ m}^3/\text{dt} > Q = 0,4404 \text{ m}^3/\text{dt}$

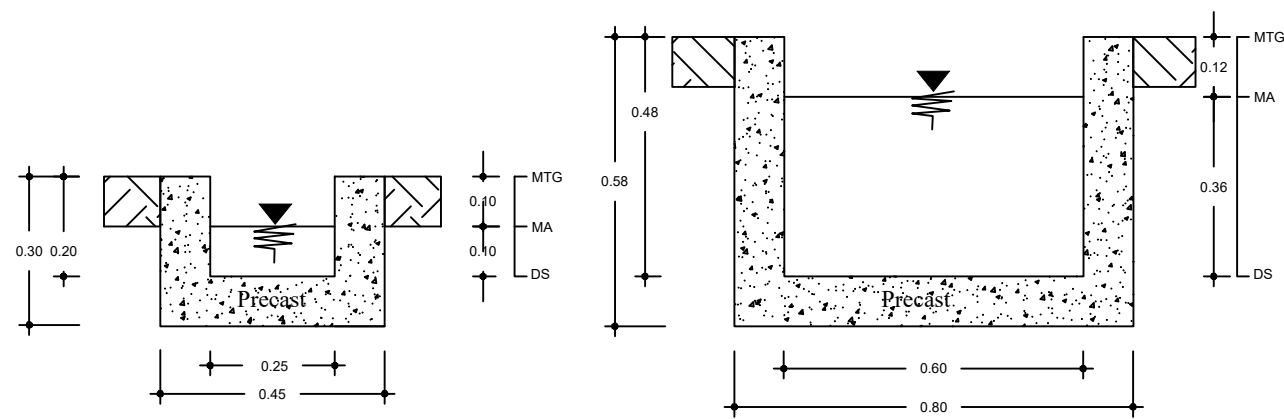
Jl. Dahlia kiri



Kondisi Existing
 $Q_s = 0,0145 \text{ m}^3/\text{dt} < Q = 0,0625 \text{ m}^3/\text{dt}$

Kondisi Setelah Direncanakan Ulang
 $Q_s = 0,0959 \text{ m}^3/\text{dt} > Q = 0,0625 \text{ m}^3/\text{dt}$

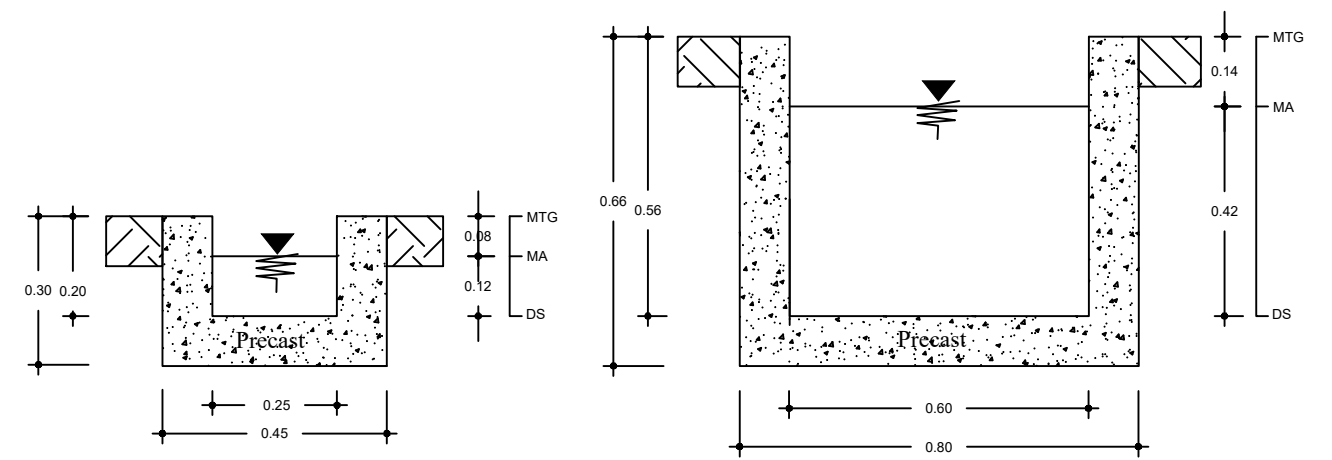
Jl. Dahlia kanan



Kondisi Existing
 $Q_s = 0,0075 \text{ m}^3/\text{dt} < Q = 0,0098 \text{ m}^3/\text{dt}$

Kondisi Setelah Direncanakan Ulang
 $Q_s = 0,0613 \text{ m}^3/\text{dt} > Q = 0,0098 \text{ m}^3/\text{dt}$

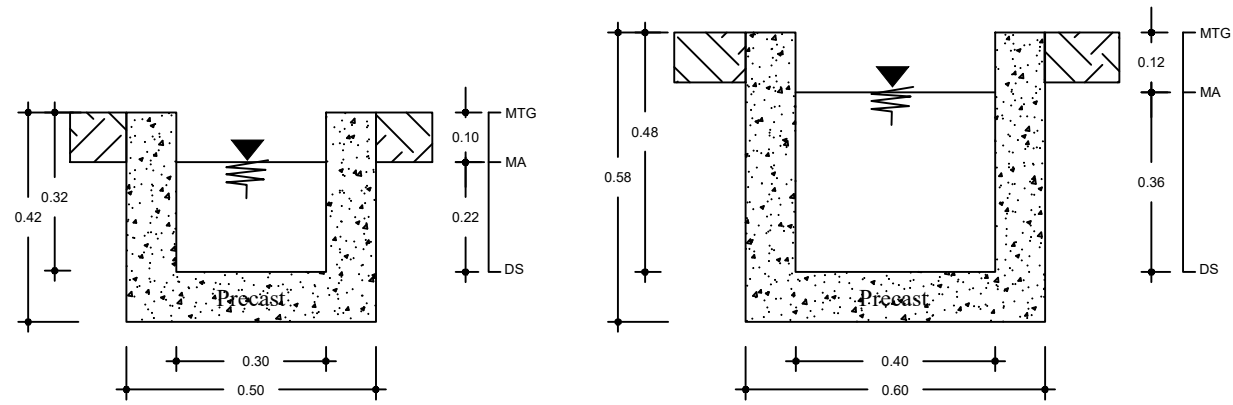
Jl. Kanyeri Kanan



Kondisi Existing
 $Q_s = 0,0075 \text{ m}^3/\text{dt} < Q = 0,0307 \text{ m}^3/\text{dt}$

Kondisi Setelah Direncanakan Ulang
 $Q_s = 0,0563 \text{ m}^3/\text{dt} > Q = 0,0307 \text{ m}^3/\text{dt}$

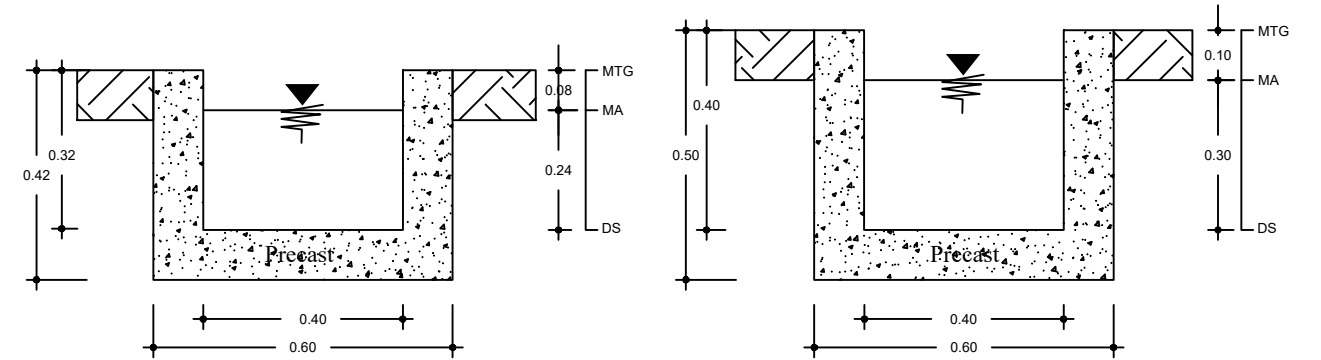
Jl. Pucuk Arjuna



Kondisi Existing
 $Q_s = 0,0174 \text{ m}^3/\text{dt} < Q = 0,0355 \text{ m}^3/\text{dt}$

Kondisi Setelah Direncanakan Ulang
 $Q_s = 0,0959 \text{ m}^3/\text{dt} > Q = 0,0355 \text{ m}^3/\text{dt}$

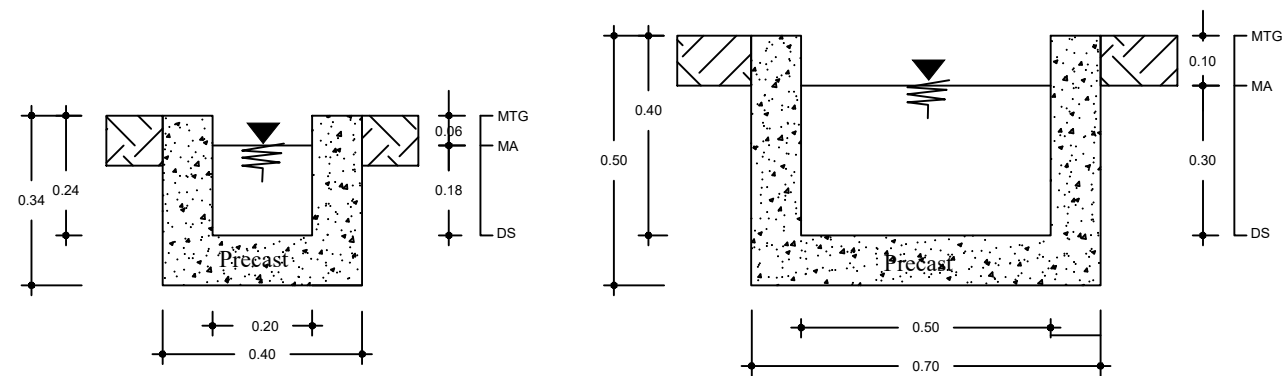
Jl. Nusa V Indah Kiri



Kondisi Existing
 $Q_s = 0,0262 \text{ m}^3/\text{dt} < Q = 0,1116 \text{ m}^3/\text{dt}$

Kondisi Setelah Direncanakan Ulang
 $Q_s = 0,1152 \text{ m}^3/\text{dt} > Q = 0,1116 \text{ m}^3/\text{dt}$

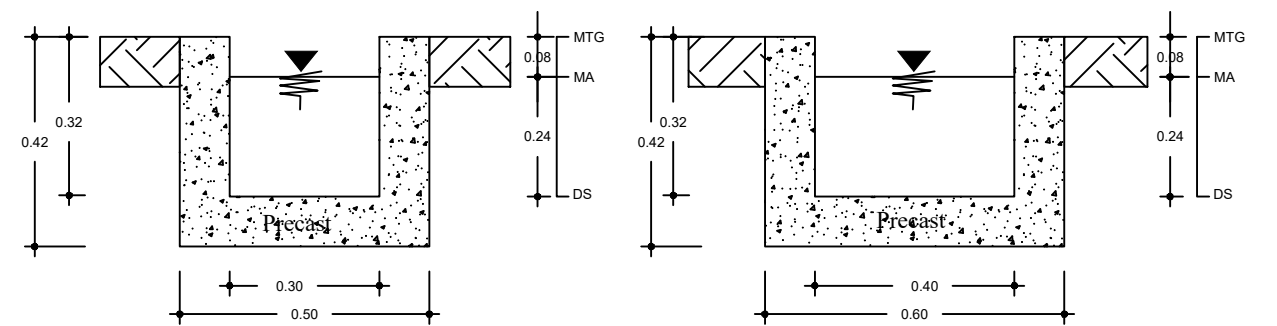
Gg. Nusa Indah II Kanan



Kondisi Existing
 $Q_s = 0,0068 \text{ m}^3/\text{dt} < Q = 0,0411 \text{ m}^3/\text{dt}$

Kondisi Setelah Direncanakan Ulang
 $Q_s = 0,0773 \text{ m}^3/\text{dt} > Q = 0,0411 \text{ m}^3/\text{dt}$

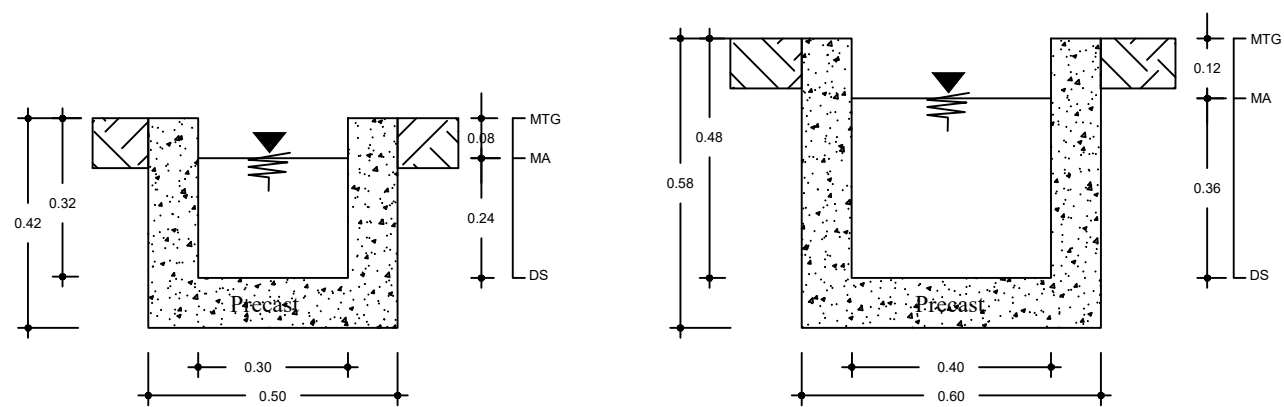
Jl. Nusa Indah XIV A Kiri



Kondisi Existing
 $Q_s = 0,0174 \text{ m}^3/\text{dt} < Q = 0,0609 \text{ m}^3/\text{dt}$

Kondisi Setelah Direncanakan Ulang
 $Q_s = 0,0773 \text{ m}^3/\text{dt} > Q = 0,0609 \text{ m}^3/\text{dt}$

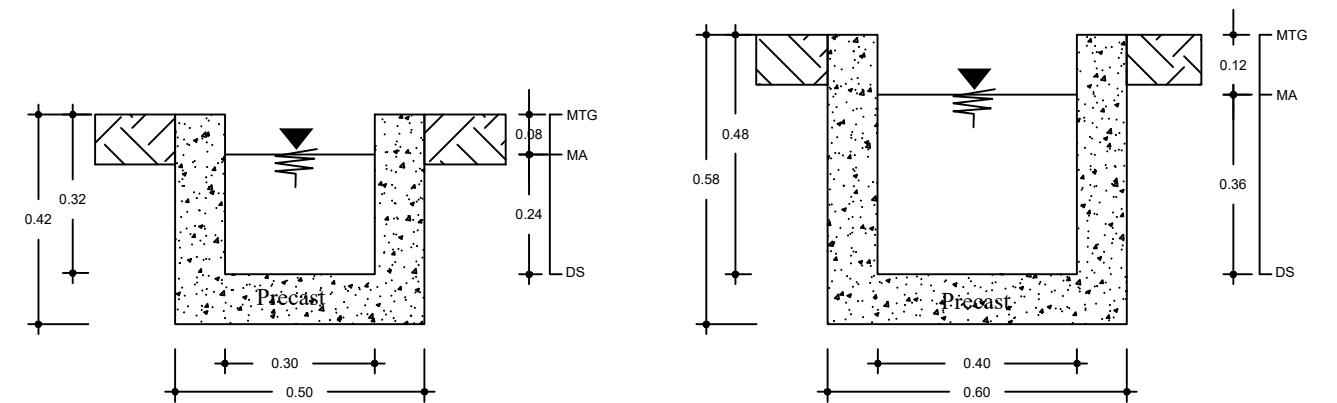
Jl. Nusa Indah XV Kiri



Kondisi Existing
 $Q_s = 0,0174 \text{ m}^3/\text{dt} < Q = 0,0390 \text{ m}^3/\text{dt}$

Kondisi Setelah Direncanakan Ulang
 $Q_s = 0,1152 \text{ m}^3/\text{dt} > Q = 0,0390 \text{ m}^3/\text{dt}$

Jl. Nusa Indah XVII Kanan



Kondisi Existing
 $Q_s = 0,0174 \text{ m}^3/\text{dt} < Q = 0,0458 \text{ m}^3/\text{dt}$

Kondisi Setelah Direncanakan Ulang
 $Q_s = 0,0773 \text{ m}^3/\text{dt} > Q = 0,0458 \text{ m}^3/\text{dt}$