

Determination of Generator Steady State Stability Limit for Multimachine System based on Network Losses Concept

By Rusilawati Rusilawati

Determination of Generator Steady State Stability Limit for Multimachine System based on Network Losses Concept

Rusilawati^{1,2,*}, Irrine Budi Sulistia^{1,3}, Adi Soeprijanto¹, and Rony Seto Wibowo¹

¹Department of Electrical Engineering, Institut Teknologi Sepuluh Nopember, Gedung B, C & AJ Kampus ITS Sukolilo, Surabaya 60111, Indonesia

²Department of Electrical Engineering, Akademi Teknik Pembangunan Nasional, Grand Palace Park Jl. A.Y. km 32, Loktabat Banjarbaru 70714, Indonesia

³Department of Electrical Engineering, Institut Teknologi Nasional, Jl. Raya Karanglo km 2, Malang 65145, Indonesia

Abstract. In the multimachine circumstances, it is difficult to analyze steady state stability of each generator. In previous research, analysis of the steady state stability limit has been carried out but only look at the stability of the overall system. Therefore, to analyze the stability of each generator, the multimachine system must be changed into a Single Machine to Infinite Bus (SMIB) system by collecting all the loads into one central load in the infinite bus. The method to change from the multimachine system to SMIB system is presented in this paper. The multimachine system is converted into an equivalent impedance (r_{eq} and x_{eq}) and an equivalent load based on losses concept. After r_{eq} and x_{eq} is calculated, then by using steady state stability limit concept, the value of the maximum generation of each generator units can be determined. By means of maximum generation is the maximum output power limit that can be generated without causing instability. ETAP simulation is used to validate the calculation results of the proposed method. The method was applied to units generator in Java Bali system 500 kV.

Key words: Equivalent reactance, equivalent resistance, generator steady state stability limit, maximum generation, the losses concept

1 Introduction

The power balance between the load and the generator output power is one measure of the power system operation stability. In power system operation, load always changes in the capacity and location at any time, and this mean that the system requires each plant to adjust the output power through the control of the governor and excitation to follow the changes in the system load. If this is not done, it will decrease the power balance and the efficiency of the system causing the system performance deteriorated.

6

* Corresponding author: habsyi.sila@yahoo.com

12

Electric power system generally consists of generating units connected to the network to serve the load. Electric power systems that have a lot of machines are usually distribute power to the load through the interconnected system. The main purpose of the interconnected system is to maintain the continuity and the availability for the increasing of the needs of electric power. The growing of the power system can result the poor performance when the system is disturbed. One effect of the interference on the system is the electromechanical oscillations, if not be attenuated can cause disruption of the system and turn out from the area of stability, resulting a worse effect as the total blackout [1, 2].

In recent years, power systems are operated almost at the stability limit due to the use of out of date of the power system infrastructure construction compare to the increase in demand of electric power and the long-distance transmission system. If the load demand beyond the limits of the maximum power (active power and reactive power) that can be generated and transmitted from the source to the load area, and no improvement action is taken the voltage load area will become unstable and collapse may occur.

Steady-state stability limit of the power system is steady state operating condition in which the power system is still in a stable condition but for a small change of the parameters of the operation will bring the system loses its stability [3]. Initial definition refers to the concept that "the stability of the system to the condition of load changes gradually and slowly change" [4]. Voltage collapse, causing the system to lose synchronism and instability caused by the strengthening of small oscillations of all forms of the steady state instability.

Load flow method can be used to determine steady-state stability limit of a power system by increasing the load until the load flow process becomes not convergent. Continuation Power Flow Method (CPF) has also been frequently used to determine the relationship between the loading parameters to voltage at each bus. Both conventional methods have a weakness because they do not incorporate internal reactance generator value in the modelling and analysis. In addition, another weakness is in the computational because the looping iteration process of Load Flow and CPF method require a longer computing time so this method is not suitable to be implemented in the real-time monitoring system. Practical studies to determine the steady state limits have also been developed in Russia to decrease the mathematical equations of the Jacobian Dynamic but this method also requires computation time is much longer [5].

In previous research analysis of the steady-state stability limit has been carried out [5–7], but still these researches only look at the stability of the overall system, making it difficult to analyze the stability of each bus or generator.

In this paper, the losses concept is used to determine the maximum generation of units generator on each generator bus. Maximum generation of generator is influenced by several factors: source voltage, phase angle and networks impedance value [8]. Equivalent network impedance can be determined by knowing the losses in the network, then the multimachine system can be changed into SMIB system with an equivalent impedance and an equivalent load. Note that the determination of equivalent impedance value using losses concept has used in [8] and [9], but the change from the multimachine system to Single Machine to Infinite Bus (SMIB) system is not provided. Maximum generation of generator is a generator steady state stability limit that can be calculated after the network impedance is obtained.

2 Concept of single machine steady state stability

Electric power system is defined as a collection of some of the power stations and substations, which are interconnected by transmitting nets each other. Transmission nets form a unified system known as interconnection system. With the interconnection system,

the system will be more reliable because of interconnected systems can assist other systems in sending power requirement if one of the systems in plants have a short fall or trip.

Interconnection system in operating system aims to obtain a combination of electric power generation as economical as possible, so achieving a balance between the **22** ver available and the power needed. System interconnection between the generators **of the power s 14** m shown in Figure 1 [10].

To **analyze the steady state stability of each generator, the** multimachine system must be changed to SMIB system first. The method to change the multimachine system to SMIB system will discuss in section III.

If the system is considered to have no power loss, the power generated equal to the power delivered to the infinite bus. The equation for P_G written as:

$$P_G = \frac{|E||V|}{X_e} \sin \delta \quad (1)$$

Figure 2 shows **a synchronous generator connected to an infinite bus.** Bus voltage $|V|$ is the constant magnitude when the net is very large (infinite). Assuming the generator operating at fixed excitation, maintaining fixed E and fixed X_e , then P_G is a function of the power angle δ . Characteristics power- angle shown in Figure 3. The maximum power is delivered to an infinite bus occurred at $\delta = 90^\circ$. Equation (1) can be written as:

$$P_G = P = P_{\max} \quad (2)$$

Stable system occurs in less than P_{\max} value, which occurs at $\delta < 90$. This can be explained as follows: suppose that the generator works in steady state conditions and transmit power P_G^0 on initial power angle δ_0 as shown in the picture angle-power characteristics in point a in Figure 3. At a point turbine output P_T^0 equal to the power generated (losses ignored). If there were no changes, the steam valve (throttle valve) which controls the turbine generator is opened slowly. Mechanical power input will be higher than the electrical output power. This power is equal to the difference $\Delta P_T = P_T - P_G$.

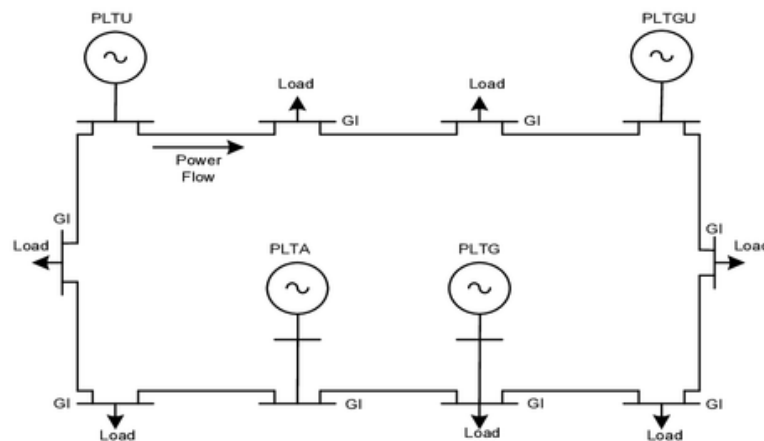


Fig. 1. System interconnection of electric power systems.

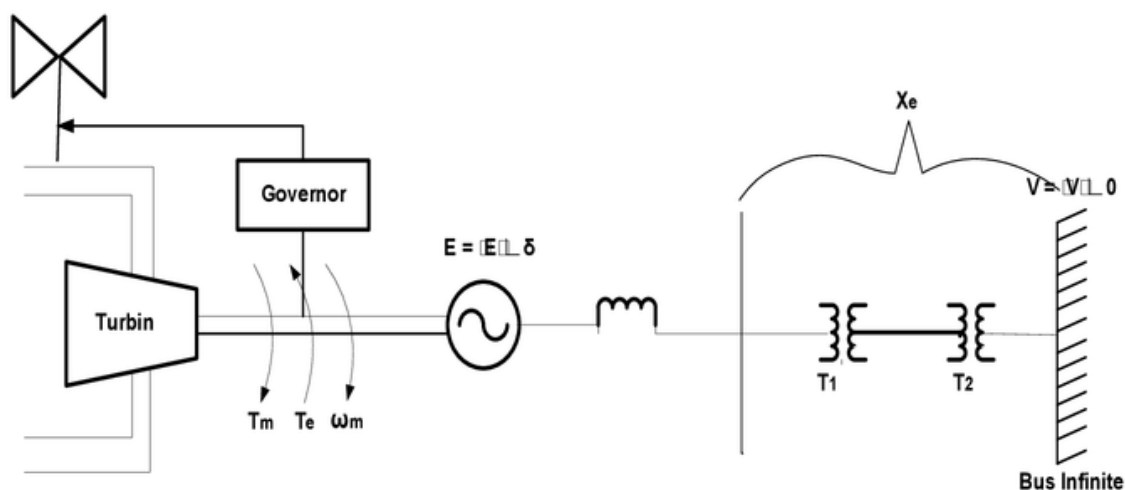


Fig. 2. A machine connected to an infinite bus.

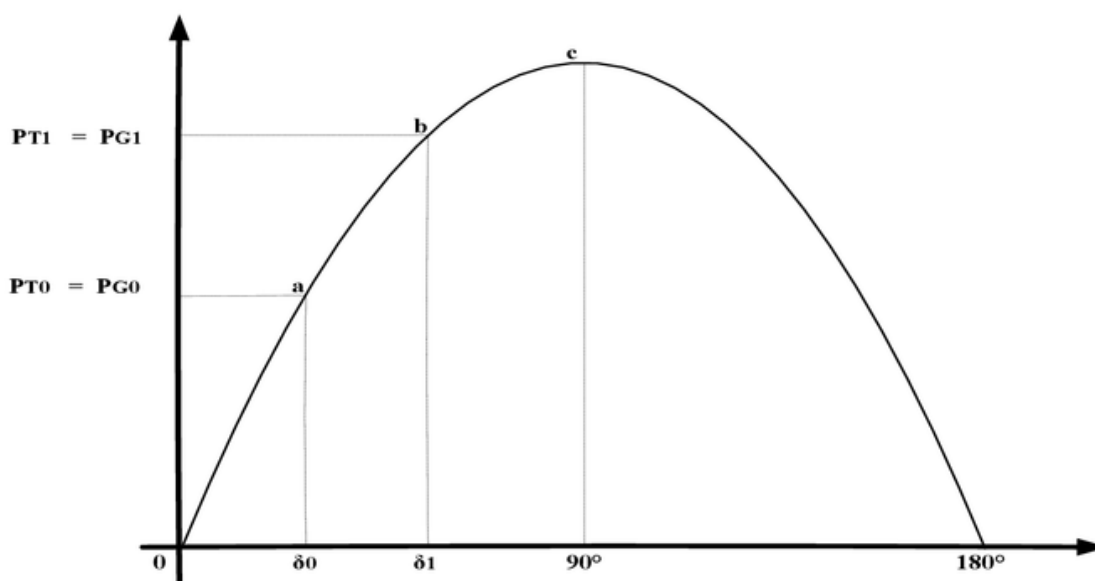


Fig. 3. Characteristics of the real power and the power angle.

Because there is an imbalance of power, then the speed will be slightly up and power angle will also rise. When the power angle δ rise from δ_0 , the electric power generator will rise. The increase in power will match with the increase in power output of the turbine. The operating system will be stable with the new power angle δ . Whenever valve steam (water) is opened and steam (water) increases, the output of electric power generators will rise.

Suppose turbine output is increased gradually until the point c (the characteristic power-angle), then the maximum power will be achieved. If the increase of power turbine continues, then the power angle will rise, while the power received by the infinite bus will drop. So that the difference between the input and output increase and will accelerate the rotation generators greater.

When the power angle is increased beyond the angle of 90° , the received power will drop rapidly and becomes zero at the angle of 180° . The acceleration of the generator rotor will increase. In other words, if the power angle is increased beyond 90° , the synchronism is lost.

P_{\max} is the steady-state stability limit of the system which is the maximum power that can be delivered under slow disturbance. If an attempt is made to transmit power over this power limit, the synchronism is lost. The maximum power is also referred to as the pull-out power [6].

$$P_{\max} = \frac{|E||V|}{X} \quad (3)$$

where X is the reactance transfer between E and V ,

$$X = X_d' + X_{eq} \quad (4)$$

$$E = V + jIX \quad (5)$$

where X_d' is generator reactance, x_{eq} is equivalent reactance, E is generator terminal voltage, I is inducted current and V is generator bus voltage.

It can be concluded that the maximum power that can be transferred by the generator is very dependent on the reactance network. If the generator transfers beyond this maximum power limit, that can be instability as loss of synchronization on the generator. If the load still increases, the stator and rotor magnetic coupling will be loose.

3 Reduction of the multimachine system to SMIB system using losses concept

Electric power system is a large system with multi generators (multimachine). If the generator stability analysis should be carry out in multimachine system, it will be very difficult. Therefore, the multimachine system as shown in Figure 4 must be changed to a Single Machine to Infinite Bus (SMIB) system first.

The procedure to change the multimachine system to SMIB system and the maximum generation calculation procedure (P_{\max}) of each generator unit can be explained as follows:

- i. Prepare the power system data. Run the load flow with all generators are off except the observed generator (the one that stability will be analyzed and which the equivalent impedance will be calculated).
- ii. Calculate the current value I of the observed generator using the following equation:

$$I^* = \left(\frac{S_{in}}{\sqrt{3}xV_i} \right) \quad (6)$$

where: S_{in} = generated complex power of generator

V_i = voltage of bus I

$S_L = P_L + jQ_L$ with S_L , P_L and Q_L are complex power losses, active power losses and reactive power losses between two bus, respectively.

- iii. Equivalent current is equal with the observed generator current.
- iv. Calculate the equivalent value of r_{eq} and x_{eq} using the following equations:

$$Z_{eq} = \frac{S_L}{I^2} = \frac{P_L + jQ_L}{I^2} \quad (7)$$

$$r_{eq} = Z_{eq} \cos \theta \quad (8)$$

and

$$x_{eq} = Z_{eq} \sin \theta \quad (9)$$

- v. Calculate E using Equation 5.
- vi. Determine the maximum generation of observed generator which is the generator steady-state stability limit using Equation 3.
- vii. Repeat this procedure for all generators.

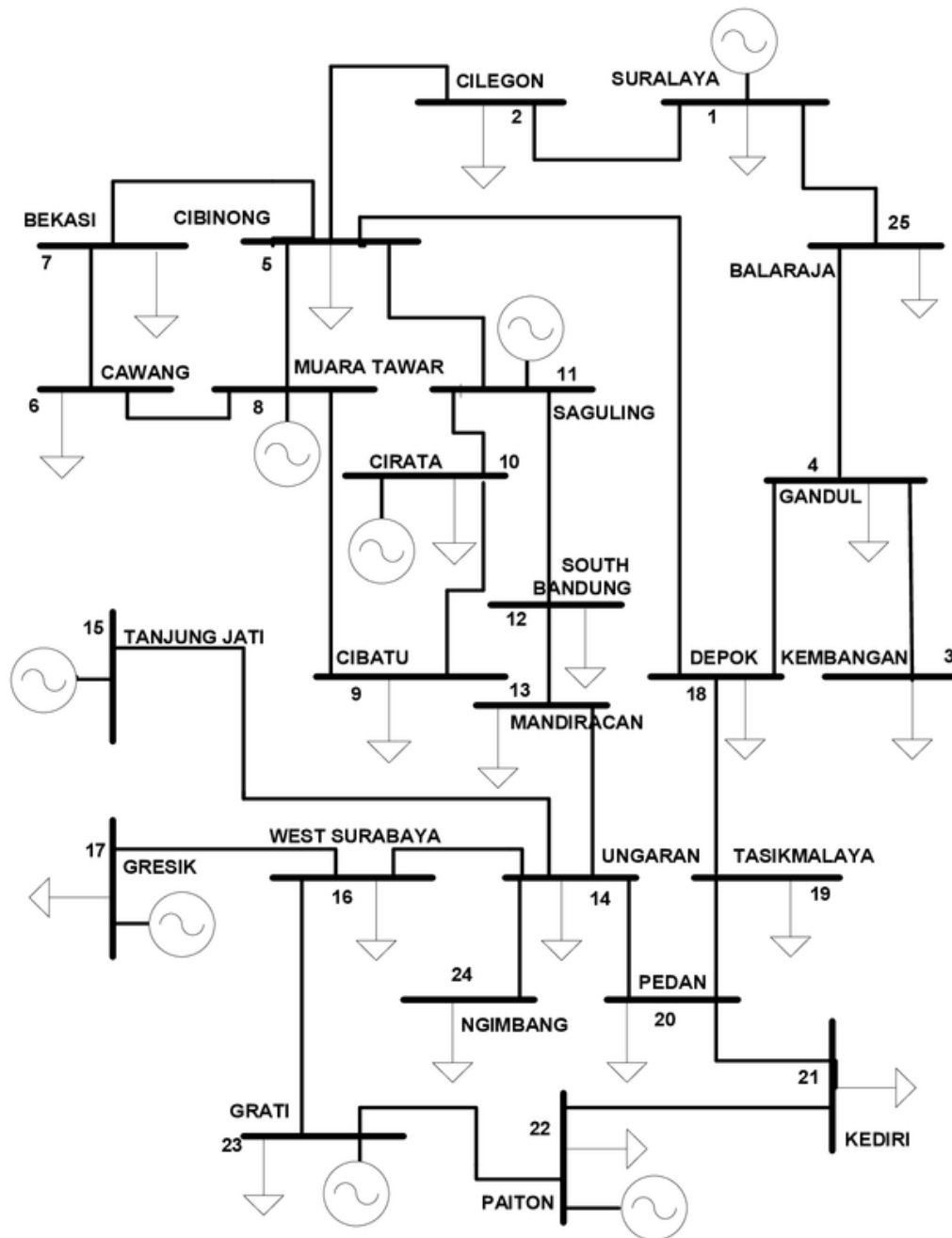


Fig. 4. Java-Bali multimachine system 500 kV.

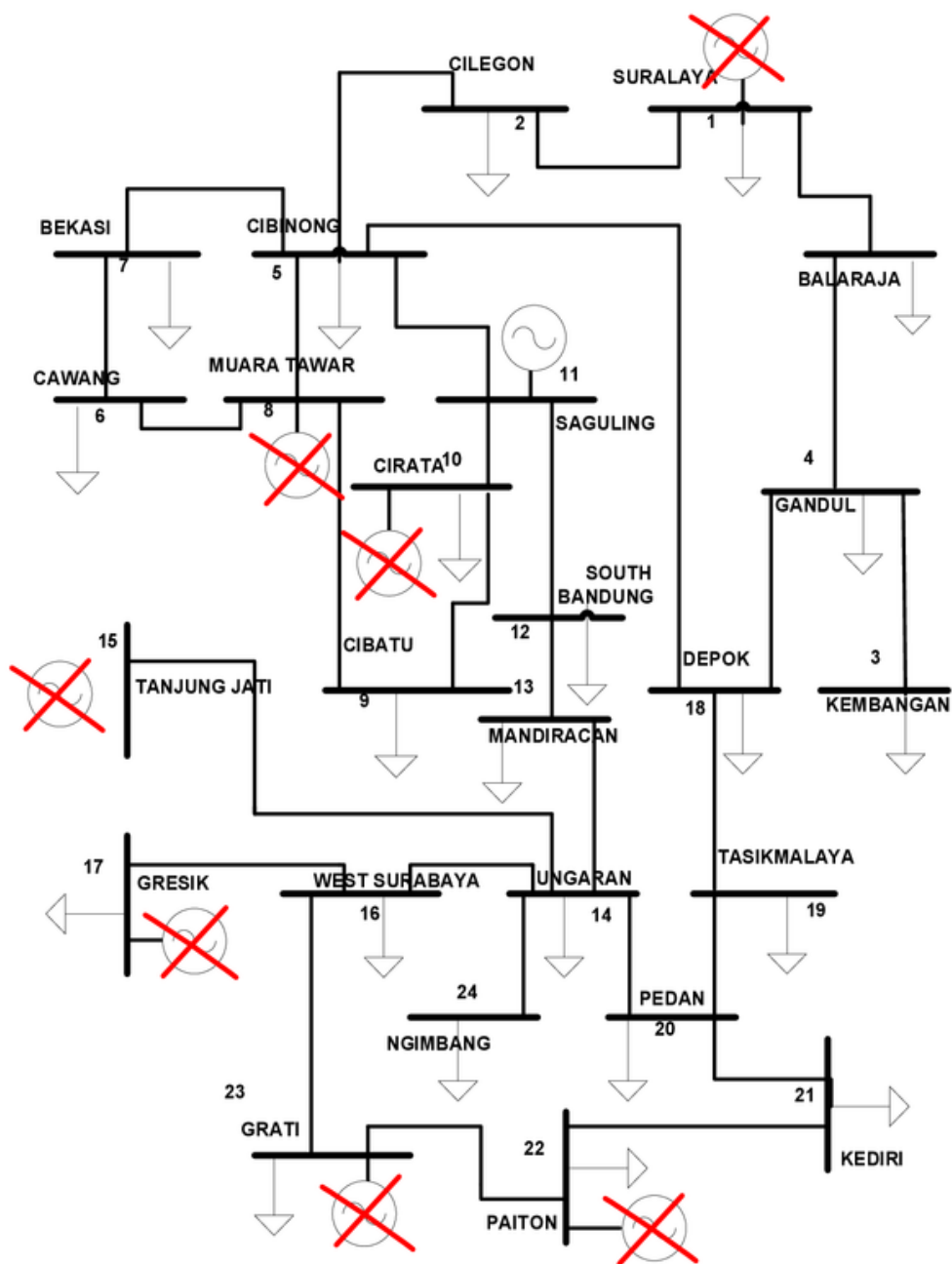


Fig. 5. The procedure to change the multimachine system to SMIB system.

Figure 5 shows the procedure to change the multimachine system to SMIB system. The multimachine system is converted into an equivalent impedance and an equivalent load as shown in Figure 6.

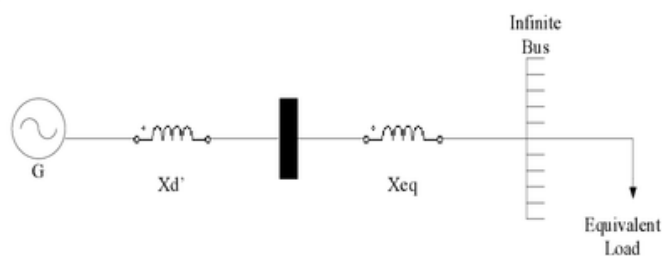


Fig. 6. Single machine to infinite bus (SMIB) system.

4 Simulation and results

The simulation using the 500 kV transmission system of Java-Bali that consisting of one swing bus, seven generator bus and 17 load bus. Figure 4 shows a picture of SLD (Single Line Diagram) of Java-Bali system 500 kV.

There are eight generators in the Java-Bali system 500 kV. The generator is connected to the load bus through 18 lines with the different conductor type. The Java-Bali system 500 kV data is contained in Table 1, Table 2, and Table 3.

Table 1. Transmission system data of Java-Bali 500 kV.

i	R (p.u)	X (p.u)	1/2 B (p.u)	Tap Setting
1 2	0.000626496	0.007008768	0	1
1 24	0.003677677	0.035333317	0	1
2 5	0.013133324	0.146925792	0.003530571	1
3 4	0.001513179	0.016928308	0	1
4 18	0.000694176	0.006669298	0	1
5 7	0.004441880	0.042675400	0	1
5 8	0.006211600	0.059678000	0	1
5 11	0.004111380	0.045995040	0.004420973	1
6 7	0.001973648	0.018961840	0	1
6 8	0.005625600	0.054048000	0	1
8 9	0.002822059	0.027112954	0	1
9 10	0.002739960	0.026324191	0	1
10 11	0.001474728	0.014168458	0	1
11 12	0.001957800	0.021902400	0	1
12 13	0.006990980	0.067165900	0.006429135	1
13 14	0.013478000	0.129490000	0.012394812	1
14 15	0.013533920	0.151407360	0.003638261	1
14 16	0.015798560	0.15178480	0.003632219	1
14 20	0.009036120	0.086814600	0	1
16 17	0.001394680	0.013399400	0	1
16 23	0.003986382	0.044596656	0	1
18 5	0.000818994	0.007868488	0	1
18 19	0.014056000	0.15724800	0.015114437	1
19 20	0.015311000	0.171288000	0.016463941	1
20 21	0.010291000	0.115128000	0.011065927	1
21 22	0.010291000	0.115128000	0.011065927	1
22 23	0.004435823	0.049624661	0.004769846	1
24 4	0.002979224	0.028622920	0	1
25 14	0.023479613	0.225580588	0.100970352	1
25 16	0.005966652	0.057324466	0	1

Table 2. Generation system data of Java-Bali 500 kV.

Bus No	Generator	Active Power (MW)		ReactivePower (MVAR)	
		Minimum	Maximum	Minimum	Maximum
1	Suralaya	1 500	3 803	-600	2 040
8	Muaratawar	1 040	2 096	-700	1 540
10	Cirata	400	948	-488	488
11	Saguling	400	700	-140	440
15	Tanjung Jati	600	2 808	-240	720
17	Gresik	238	828	-610	660
22	Paiton	1 425	4 710	-840	1 920
23	Grati	150	850	-302	566

Table 3. Generator reactance data of Java-Bali 500 kV.

Bus No	Generator	Ra	Xd'
1	Suralaya	0	0.1418445
8	Muara Tawar	0	0.0498565
10	Cirata	0	0.0982143
11	Saguling	0	0.2820233
15	Tanjung Jati	0	0.4842950
17	Gresik	0	0.1869112
22	Paiton	0	0.1567810
23	Grati	0	0.2630799

The simulations is performed with the load is 11 278 MW. Data loading is presented in Table 4.

The simulation steps in finding the steady state stability limit (P_{max}) for each generator are as follows:

- i. The generator on bus 11 is used as observed generator. The load flow result with all generators are off except the observed generator on bus 11 is presented in Table 5.
- ii. From Table 5, we can see that the generated power of generator is 536.027 MW and 211.426 MVar. Voltage of bus 11 is 1.00 pu. The active power losses is 1.027 MW and the reactive power losses is -220.448 MVar.
- iii. Calculation result for the current value I of the observed generator using Equation 6 is 665.358 A.
- iv. The r_{eq} value and the x_{eq} value can calculate using Equation 7, Equation 8 and Equation 9, and we get 0.0000092792-j 0.00199184.
- v. We can determine the maximum generation of observed generator which is the generator steady-state stability limit using (3), and be obtained 668.929 MW
- vi. Repeat this procedure for all generators. The calculation results of r_{eq} and x_{eq} value using the losses concept as described in section III can be seen in Table 6.

Table 4. Transmission system bus data of Java-Bali 500kV.

Bus No	Bus Name	Bus Type	Voltage		Load	
			Magnitude	Angle	MW	MVAR
2						
1	Suralaya	Slack	1.02	0	153	45
2	Cilegon	Load	1	0	703	227
3	Kembangan	Load	1	0	760	261
4	Gandul	Load	1	0	544	181
5	Cibinong	Load	1	0	697	215
6	Cawang	Load	1	0	760	181
7	Bekasi	Load	1	0	646	170
8	Muaratawar	Generator	1	0	0	0
9	Cibatu	Load	1	0	823	317
10	Cirata	Generator	1	0	680	245
11	Saguling	Generator	1	0	0	0
12	South Bandung	Load	1	0	590	351
13	Mandiracan	Load	1	0	397	136
14	Ungaran	Load	1	0	392	363
15	Tanjung Jati	Generator	1	0	0	0
16	WestSurabaya	Load	1	0	862	317
17	Gresik	Generator	1	0	210	91
18	Depok	Load	1	0	0	0
19	Tasikmalaya	Load	1	0	277	17
20	Pedan	Load	1	0	524	244
21	Kediri	Load	1	0	358	206
22	Paiton	Generator	1	0	839	272
23	Grati	Generator	1	0	130	193
24	Ngimbang	Load	1	0	732	287
25	Balaraja	Load	1	0	264	58
					11 278	4 377

Load flow analysis in ETAP simulation is used to validate the calculation results. The observed generator is turned on and others are turned off. Rated load is increased gradually until reached a state where if the loading value is raised again the load flow process becomes divergent. The generating value that is obtained before the load flow process divergent is the maximum limit of the generation which is a steady state stability limit of the generator.

The calculation results of P_{max} which is a steady state stability limit of each generator unit compared with result of ETAP simulation can be seen in Table 7.

Table 5. The load flow result for observed generator is on bus 11.

Power Flow Solution by Newton-Raphson Method							
Maximum Power Mismatch = 1.15256e-006							
No. of Iterations = 3							
Bus No.	Voltage Mag.	Angle Degree	-----Load-----		-----Generation-----		Injected Mvar
			MW	Mvar	MW	Mvar	
1	0.994	-0.726	7.258	4.440	0.000	0.000	0.000
2	0.994	-0.730	33.349	22.398	0.000	0.000	0.000
3	0.994	-0.697	36.052	25.753	0.000	0.000	0.000
4	0.994	-0.664	25.806	17.859	0.000	0.000	0.000
5	0.995	-0.546	33.064	21.214	0.000	0.000	0.000
6	0.995	-0.572	36.052	17.859	0.000	0.000	0.000
7	0.995	-0.586	30.645	16.774	0.000	0.000	0.000
8	0.966	-0.425	0.000	0.000	0.000	0.000	0.000
9	0.997	-0.298	39.041	31.278	0.000	0.000	0.000
10	0.999	-0.120	32.257	24.174	0.000	0.000	0.000
11	1.000	0.000	0.000	0.000	536.027	211.426	0.000
12	0.999	-0.204	27.988	34.633	0.000	0.000	0.000
13	0.996	-0.732	18.833	13.419	0.000	0.000	0.000
14	0.991	-1.612	15.607	35.817	0.000	0.000	0.000
15	0.992	-1.734	0.000	0.000	0.000	0.000	0.000
16	0.988	-2.001	40.891	31.278	0.000	0.000	0.000
17	0.988	-2.009	9.962	8.979	0.000	0.000	0.000
18	0.995	-0.688	0.000	0.000	0.000	0.000	0.000
19	0.996	-1.248	13.140	1.677	0.000	0.000	0.000
20	0.992	-1.703	24.857	24.075	0.000	0.000	0.000
21	0.990	-1.963	16.983	20.326	0.000	0.000	0.000
22	0.988	-2.109	39.800	26.838	0.000	0.000	0.000
23	0.987	-2.059	6.167	19.043	0.000	0.000	0.000
24	0.994	-0.716	34.724	28.318	0.000	0.000	0.000
25	0.989	-1.957	12.523	5.723	0.000	0.000	0.000
Total			535.000	431.874	536.027	211.426	0.000

Table 6. Calculation result of Z_{eq} using losses concept.

Bus No.	Generator	Z_{eq}	P_{max}
1	Suralaya	0.000157 + j 0.001752	3 574.141
8	Muara Tawar	0.007125 + j 0.068446	2 259.334
10	Cirata	0.0001 + j 0.0023	930
11	Saguling	0.0000092792 - j 0.00199184	668.929
15	Tanjungjati	0.012925599 - j 0.21368	2 437.331
17	Gresik	0.0014 + j 0.0083	810
22	Paiton	0.0008 + j 0.0044	4 786.653
23	Grati	0.01004 + j 0.101927	819.2782

Table 7. Calculation result of Z_{eq} using losses concept.

Bus No.	Generator	Calculation result using the proposed method	ETAP simulation result
1	Suralaya	3 574.41	3 650.827
8	Muara Tawar	2 259.334	2 231.407
10	Cirata	930	917.936
11	Saguling	668.929	660.898
15	Tanjungjati	2 437.331	2 586.633
17	Gresik	810	823.246
22	Paiton	4 786.653	4 746.864
23	Grati	819.2782	851.094

5 Conclusion

P_{max} calculation result obtained by the proposed method is not much different compared with the results obtained by the ETAP simulation. It can be concluded that, the method to change multimachine system into SMIB presented in this paper can be applied and determination of r_{eq} and x_{eq} value based on the network losses concept can be done. By using the proposed method, steady state stability limit of each generator in a multimachine system can be determined easily. It will be very useful for guiding the operator in operating their generator safely.

5

The authors are very grateful to the Power System Simulation Laboratory, Department of Electrical Engineering, Institut Teknologi Sepuluh Nopember (ITS), Surabaya, Indonesia to all facilities provided during this research and the authors are very grateful to Direktur Riset dan Pengabdian Masyarakat, Direktorat Jenderal Penguatan Riset dan Pengembangan through the PDD 2017 Grant Fund.

References

1. C.Thakur, S. Sahu. *Current Trends in Technology and Science*, II,VI:330–339 (2013). <https://www.ctts.in/assets/upload/8000ctts-415%20vol-2%20iss-6.pdf>.
2. Ž. Eleschová, A. Beláň. *AT&P journal PLUS*2:54–57 (2008). https://www.atpjournal.sk/buxus/docs/casopisy/atp_plus/plus_2008_2/plus54_57.pdf.
3. J. Veleba. *Possible steady-state voltage stability analyses of electric power systems* [Online] from http://home.zcu.cz/~tesarova/IP/Proceedings/Proc_2011/Files/Veleba.pdf. (2011). [Accessed on 9 July 2017]
4. K. Himaja, T.S. Surendra, S.T. Kalyani. *IJERT*, 1,7 (2012). <https://www.ijert.org/download/1059/steady-state-stability-analysis-of-a-single-machine-power-system-using-matlab>.
5. I.C. Gunadin, M. Abdillah, A.Soeprijanto, O. Penangsang. *WSEAS Transactions On Power Systems*, 7,3:91–103 (2012). <http://repository.unhas.ac.id/handle/123456789/7195>
6. J. Lianda. *Analisis batas stabilitas steady state dan transient menggunakan metode Radial Equivalent Independent (Rei) Dimo* [Stability limit analysis of steady state and transient method using Radial Equivalent Independent (REI) Dimo]. [Thesis].

- Institut Teknologi Sepuluh Nopember, Surabaya, Indonesia (2011). [in Bahasa Indonesia]. p. 45. <http://digilib.its.ac.id/ITS-Undergraduate-3100011042766/15957>
7. J. Custer, I. C. Gunadin, O. Penangsang, A. Soeprijanto. *Optimisasi operasi sistem tenaga listrik dengan konstrain kapabilitas operasi generator dan kestabilan steady state* [Optimization of power system operation using capability constraint of generator operation and steady state stability] [Online] from <http://digilib.its.ac.id/public/ITS-paper-20168-Paper.pdf>. (2011). [Accessed on 29 March 2014]. [in Bahasa Indonesia]
 8. P. Kayal, S. Chanda, C.K. Chanda. *International Journal on Electrical Engineering and Informatics*, **4,2** (2012). <http://www.ijeei.org/docs-43441230750358b3a03515.pdf>.
 9. G.A. Mahmoud. *IET Generation, Transmission & Distribution*, **6,7**:612–618. <http://ieeexplore.ieee.org/document/6235272/>
 10. I.C. Gunadin, O. Penangsang, A. Soeprijanto. *Influence of load characteristics against voltage collapse phenomena*. Proceeding International Conference on Engineering and Meta-Engineering, (Orlando, USA, 2010). http://www.iiis.org/CDs2010/CD2010IMC/ICEME_2010/index.asp?id=0&area=1

Determination of Generator Steady State Stability Limit for Multimachine System based on Network Losses Concept

ORIGINALITY REPORT

17%

SIMILARITY INDEX

PRIMARY SOURCES

- 1** Ali Mahmudi, Sentot Achmadi, Michael. "Modified Welch Berlekamp Algorithm to Decode Reed Solomon Codes", MATEC Web of Conferences, 2018
Crossref 156 words — 4%
- 2** digilib.its.ac.id
Internet 138 words — 3%
- 3** www.ide.iitkgp.ernet.in
Internet 41 words — 1%
- 4** Armando Guzmán. "Synchrophasor-Based Real-Time Voltage Stability Index", 2006 IEEE PES Power Systems Conference and Exposition, 2006
Crossref 36 words — 1%
- 5** www.ijeei.org
Internet 35 words — 1%
- 6** www.shs-conferences.org
Internet 33 words — 1%
- 7** ideatech.stts.edu
Internet 26 words — 1%
- 8** www.wseas.us
Internet 25 words — 1%
- 9** I.G.N Satriyadi Hernanda, Evril N. Kartinisari, Dimas Anton Asfani, Daniar Fahmi. "Analysis of protection failure effect and relay coordination on reliability index", 2014 The 1st International Conference on Information Technology, Computer, and Electrical Engineering, 2014
Crossref 23 words — 1%
- 10** localenergynetwork.org
Internet 21 words — 1%
- 11** www.arpnjournals.com
Internet 20 words — < 1%
- 12** Andi Nurtrimarini Karim, Sri Mawar Said, Indar Chaerah Gunadin, Mustadir Darusman B. "Impact of Penetration Wind Turbines on Transient Stability in Sulbagsel 16 words — < 1%

-
- 13 R. A. Phillips. "Operation of Large Synchronous Generators in the Dynamic Stability Region with a Modern Amplidyne Voltage Regulator; Part 1. Recommendations for Setting the Underexcited Reactive-Ampere Limit", Transactions of the American Institute of Electrical Engineers Part III Power Apparatus and Systems, 1/1956 15 words — < 1%
Crossref
-
- 14 Yong-Gang Li. "The Parameter of Automatic Voltage Regulator's Effect on Steady State Stability Limit of Turbine Generator", 2008 Workshop on Power Electronics and Intelligent Transportation System, 08/2008 15 words — < 1%
Crossref
-
- 15 "The Role of Renewable Energy: Sumba Iconic Island, an Implementation of 100 Percent Renewable Energy by 2020", Lecture Notes in Electrical Engineering, 2016. 13 words — < 1%
Crossref
-
- 16 Jatmoko B. Santoso, Achmad Affandi. "MODEL ARSITEKTUR ENTERPRISE INSTITUSI PENGUJIAN DAN KALIBRASI ALAT KESEHATAN", Teknologi, 2016 12 words — < 1%
Crossref
-
- 17 lppm.uns.ac.id 11 words — < 1%
Internet
-
- 18 cochranelibrary-wiley.com 11 words — < 1%
Internet
-
- 19 C.J. Mozina. "Power Plant Protection and Control Strategies for Blackout Avoidance", 59th Annual Conference for Protective Relay Engineers, 2006., 2006 11 words — < 1%
Crossref
-
- 20 www.ijert.org 9 words — < 1%
Internet
-
- 21 Montilla-DJesus, Miguel Eduardo, David Santos-Martin, Santiago Arnaltes, and Edgardo D Castronuovo. "Optimal Operation of Offshore Wind Farms With Line-Commutated HVDC Link Connection", IEEE Transactions on Energy Conversion, 2010. 8 words — < 1%
Crossref
-
- 22 Zhenya Liu. "Characteristics of UHV AC Transmission System", Elsevier BV, 2015 7 words — < 1%
Crossref

23 Power Electronics and Power Systems, 2014. 6 words — < 1%
Crossref

24 Rade M. Ciric. "Observing the performance of distribution systems with embedded generators", European Transactions on Electrical Power, 11/2004 6 words — < 1%
Crossref

25 Tania, Mutmainna. "Wide Area Measurement Applications for Improvement of Power System Protection.", Proquest, 2014. 6 words — < 1%
ProQuest

EXCLUDE QUOTES OFF
EXCLUDE BIBLIOGRAPHY ON

EXCLUDE MATCHES OFF